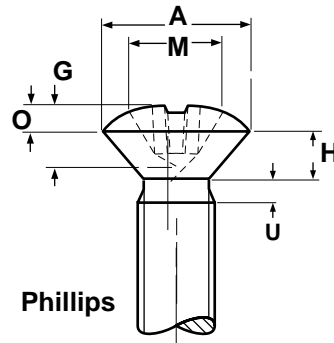
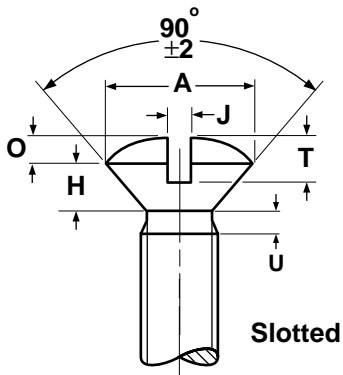


Oval Head

METRIC

Machine Screws



| METRIC - PHILLIPS OVAL HEADS FOR MACHINE SCREWS | | | | | | | | | | ISO 7047 |
|---|--------------|---------------|-------|------------------|----------------|--------------|--------------------|------|---------------|----------------------|
| Nominal Size | Thread Pitch | A | | H | O | M | G | | U | Phillips Driver Size |
| | | Head Diameter | | Head Side Height | Height of Oval | Recess Width | Recess Penetration | | Thread Runout | |
| | | Max | Min | Max | Ref | Ref | Max | Min | Max | |
| M1.6 | 0.35 | 3.0 | 2.7 | 1 | 0.4 | 1.9 | 1.2 | 0.9 | 0.7 | 0 |
| M2 | 0.4 | 3.8 | 3.5 | 1.2 | 0.5 | 2 | 1.5 | 1.2 | 0.8 | 0 |
| M2.5 | 0.45 | 4.7 | 4.4 | 1.5 | 0.6 | 3 | 1.85 | 1.50 | 0.9 | 1 |
| M3 | 0.5 | 5.5 | 5.2 | 1.65 | 0.7 | 3.4 | 2.2 | 1.8 | 1 | 1 |
| M4 | 0.7 | 8.40 | 8.04 | 2.7 | 1 | 5.2 | 3.2 | 2.7 | 1.4 | 2 |
| M5 | 0.8 | 9.30 | 8.94 | 2.7 | 1.2 | 5.4 | 3.4 | 2.9 | 1.6 | 2 |
| M6 | 1 | 11.30 | 10.87 | 3.3 | 1.4 | 7.3 | 4.0 | 3.5 | 2 | 3 |
| M8 | 1.25 | 15.80 | 15.37 | 4.65 | 2 | 9.6 | 5.25 | 4.75 | 2.5 | 4 |
| M10 | 1.5 | 18.30 | 17.78 | 5 | 2.3 | 10.4 | 6.0 | 5.5 | 3 | 4 |

| METRIC - SLOTTED OVAL HEADS FOR MACHINE SCREWS | | | | | | | | | | ISO 2010 |
|--|--------------|---------------|-------|------------------|----------------|---------------|------|---------------|------|---------------|
| Nominal Size | Thread Pitch | A | | H | O | J | | T | | U |
| | | Head Diameter | | Head Side Height | Height of Oval | Width of Slot | | Depth of Slot | | Thread Runout |
| | | Max | Min | Max | Ref | Max | Min | Max | Min | Max |
| M1.6 | 0.35 | 3.0 | 2.7 | 1 | 0.4 | 0.60 | 0.46 | 0.80 | 0.64 | 0.7 |
| M2 | 0.4 | 3.8 | 3.5 | 1.2 | 0.5 | 0.70 | 0.56 | 1.0 | 0.8 | 0.8 |
| M2.5 | 0.45 | 4.7 | 4.4 | 1.5 | 0.6 | 0.80 | 0.66 | 1.2 | 1.0 | 0.9 |
| M3 | 0.5 | 5.5 | 5.2 | 1.65 | 0.7 | 1.00 | 0.86 | 1.45 | 1.20 | 1 |
| M4 | 0.7 | 8.40 | 8.04 | 2.7 | 1 | 1.51 | 1.26 | 1.9 | 1.6 | 1.4 |
| M5 | 0.8 | 9.30 | 8.94 | 2.7 | 1.2 | 1.51 | 1.26 | 2.4 | 2.0 | 1.6 |
| M6 | 1 | 11.30 | 10.87 | 3.3 | 1.4 | 1.91 | 1.66 | 2.8 | 2.4 | 2 |
| M8 | 1.25 | 15.80 | 15.37 | 4.65 | 2 | 2.31 | 2.06 | 3.7 | 3.2 | 2.5 |
| M10 | 1.5 | 18.30 | 17.78 | 5 | 2.3 | 2.81 | 2.56 | 4.4 | 3.8 | 3 |