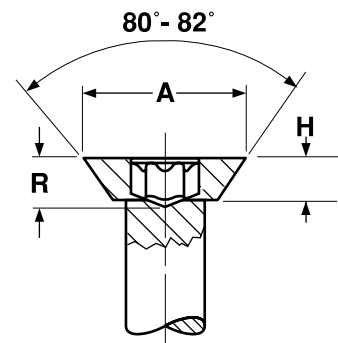
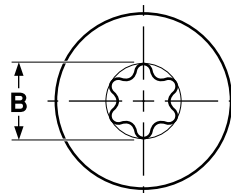
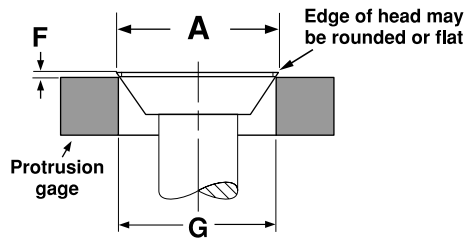


TORX DRIVE FLAT HEADS FOR SELF-TAPPING SCREWS								Camcar
Nominal Size	G		T		F		Fallaway	Torx Driver Size
	Head Diameter		Head Height		Gauge Penetration			
	Max	Min	Ref	Ref	Max	Min	Max	
2	.162	.144	.051	.069	.028	.023	.014	T6
4	.212	.191	.067	.094	.039	.032	.019	T8
5	.237	.215	.075	.111	.046	.038	.022	T10
6	.262	.238	.083	.111	.046	.038	.022	T10
8	.312	.285	.100	.132	.054	.045	.026	T15
10	.362	.333	.116	.155	.064	.053	.031	T20
1/4	.477	.442	.153	.200	.082	.068	.040	T27



TORX DRIVE FLAT UNDERCUT HEADS FOR SELF-TAPPING SCREWS								Camcar	
Nominal Size	G		T		F		Fallaway	Torx Driver Size	
	Head Diameter		Head Height		Gauge Penetration				
	Max	Min	Max	Min	Ref	Max	Min		Max
2	.162	.144	.036	.028	.069	.028	.023	.014	T6
4	.212	.191	.047	.038	.094	.039	.032	.019	T8
5	.237	.215	.053	.043	.111	.046	.038	.022	T10
6	.262	.238	.059	.048	.111	.046	.038	.022	T10
8	.312	.285	.070	.058	.132	.054	.045	.026	T15
10	.362	.333	.081	.068	.155	.064	.053	.031	T20
1/4	.477	.442	.107	.092	.200	.082	.068	.040	T27