



Kinter  
3333 Oak Grove Ave.  
Waukegan, IL 60087

Phone: 800.323.2389  
Fax: 847.623.0105  
Email: [sales@kinter.com](mailto:sales@kinter.com)  
Website: [www.kinter.com](http://www.kinter.com)

[All Categories](#) > [Display Construction](#) > [Plastic Push-In Fasteners](#) > [X-Mas Tree Clip Fasteners](#) > Part # 120206B

## Part # 120206B, 0.203" Hole Size, 0.700" Shank Length, and 0.750" Head Outside Diameter (O.D.), Black X-Mas Tree Clip Fastener

Flexible ribs deflect when pushed into hole then spring back for a secure lock that resists removal. Universal use in a wide variety of materials such as metal, wood, foam, rubber and plastic, in both solid and compressed forms. For use in a wide range of panel thicknesses and hole diameters.

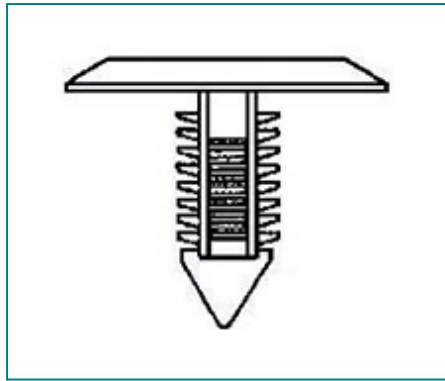
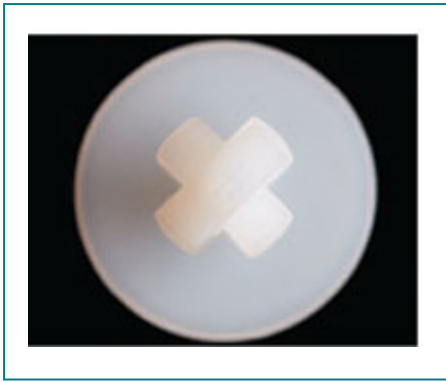
- Wide variety of sizes & styles available
- For use in drilled, punched or molded holes, both threaded and non-threaded
- Ideal where fast and/or blind installation is required
- Part #'s 120200, 120205 & 120212 are very popular for shelving and display construction
- Parts are separated by the type of fins they have

### Fin Type "X" - Standard:



- **Warning:** Attempted removal of fin type "X" push-in fasteners will result in damaged or distorted fins
- Not recommended for re-use
- Part #'s 120200 & 120212 are very popular for shelving and display construction

List Price

**QUOTE**



## Specifications

<b>Hole Size</b>	0.203"
<b>Grip Capacity</b>	0.060" to 0.480"
<b>Shank Length</b>	0.700"
<b>Fin Type</b>	 X
<b>Head O.D.</b>	0.750"
<b>Head Style</b>	 Grain. Flat
<b>Color</b>	Black
<b>Material</b>	Nylon 6/6